

# DISTRIBUTOR

DATA SHEET

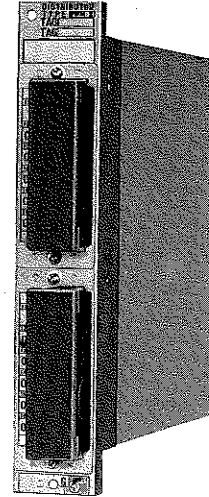
PWM

A distributor is mounted for each group of instruments consisting of an FC series transmitter and its combined receiver, controller etc.

It feeds DC power to the transmitter, converts a current signal from the transmitter into a 1 to 5V DC voltage signal by means of the built-in precision resistor, and then distributes the voltage signal to each receiver.

In addition, the distributor for 2 loops is provided with built-in power supplies and terminals arranged on the upper and lower stages of the case for independent transmitters of 2 loops. These power supplies are high-reliability constant voltage regulated power supplies isolated from each other for each loop, and also provided with current limiter functions to be suitable for complex and safety instrumentation systems.

Since EMF converter (PRA type), square root extractor (PRD type), flow rate compensator (PRE type) and repeater (PRH type) are provided with a built-in distributor, this distributor is not needed when these units are employed.

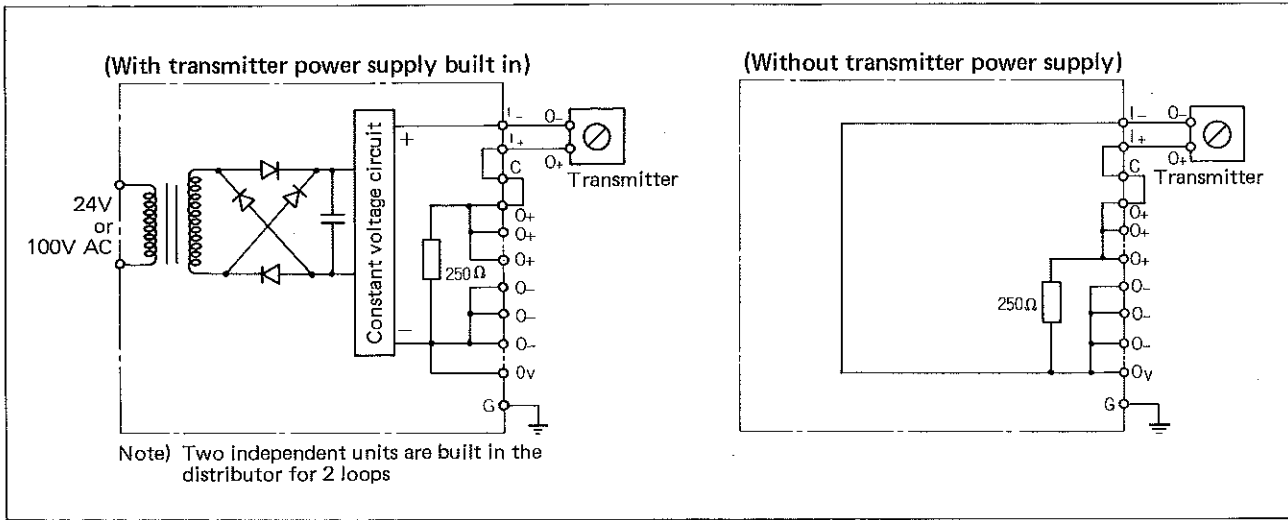


## SPECIFICATIONS

- Power voltage:** 24V<sup>+13</sup><sub>-10</sub> % AC  
(fed through power transformer PWJ)  
100V ±10% AC
- Input signal:** 4 to 20mA DC (input resistance 250Ω)  
For 4 to 20mA DC reception  
(250Ω built in without transmitter power supply)
- Application:** Two kinds, for 1 loop and 2 loops  
(exclusive receiver type is also available without transmitter power supply)
- Transmitter power voltage:** 25.8V DC
- Power consumption:** Approx. 2VA
- Output signal:** 1 to 5V DC (output resistance 250Ω)
- Accuracy:** ±0.1% (of full span with reference to input signal)
- Ambient temperature:** 0 to 45°C
- Ambient humidity:** Less than 90% RH
- Mounting method:** Rack mounting
- Weight:** Approx. 1.6 kg

- Intrinsically safe explosionproofing:**  
Usable as distributor for zener barrier (PWZB1)
- Enclosure:** Steel plate casing
- External dimensions (HxWxD):** 247 x 44 x 225 mm
- Finish color:** Case; silver (melamine baked enamel)  
Terminal cover; gray (molded synthetic resin)

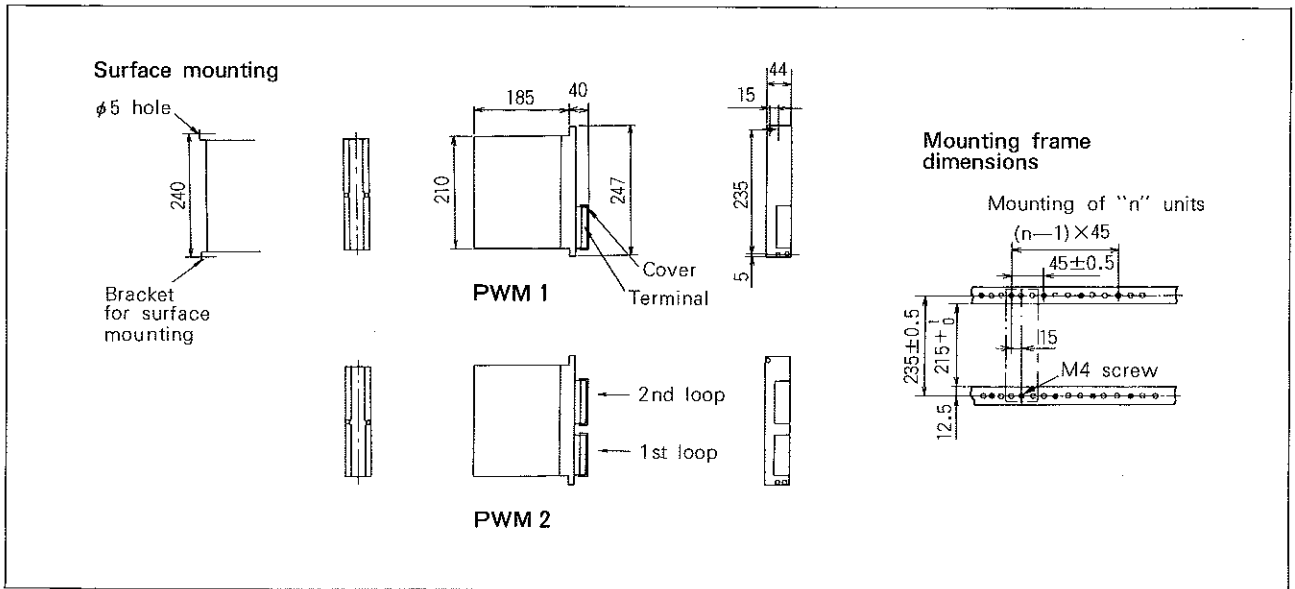
# PRINCIPLE DIAGRAM



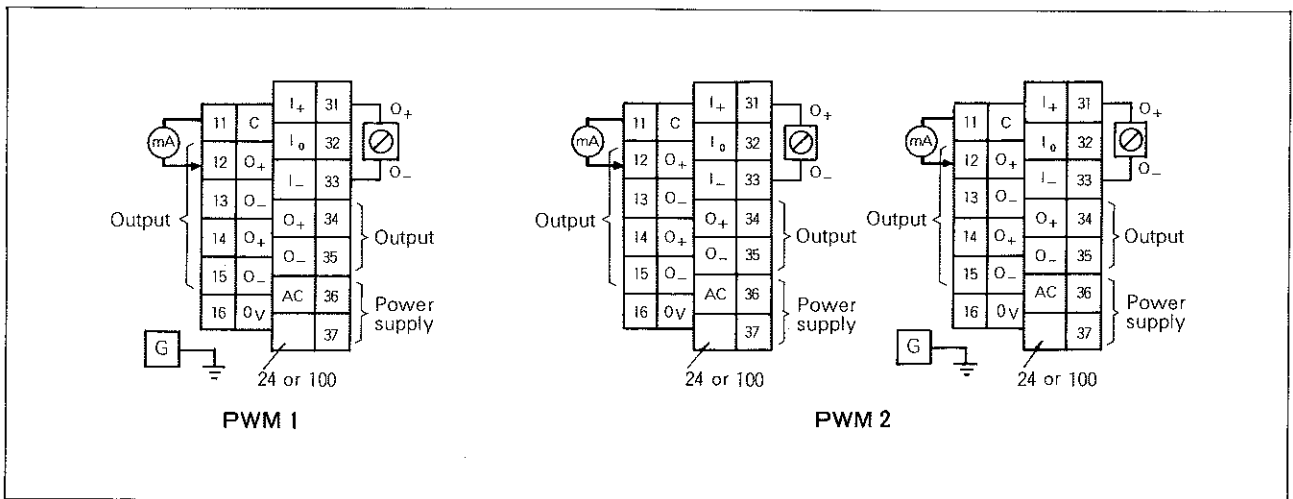
# CODE SYMBOLS

| PWM | Description  |
|-----|--|
| 1   | Application  |
| 1   | For 1 loop   |
| 2   | For 2 loops  |
| 0   | Power supply   |
|     | Power supply unnecessary (with C or Y in 6th and 7th digits)         |
| 1   | AC 24V 50/60 Hz  |
| 3   | AC 100V 50/60 Hz   |
| A   | Input signal specifications (1st loop)                               |
| C   | 4 to 20mA  |
|     | 4 to 20mA reception (250Ω built in without transmitter power supply) |
| A   | Input signal specifications (2nd loop)                               |
| C   | 4 to 20mA  |
|     | 4 to 20mA reception (250Ω built in without transmitter power supply) |
| Y   | None (for 1 loop)  |

# EXTERNAL VIEW (Unit:mm)



# CONNECTION DIAGRAM



## RELATED INSTRUMENT

Power transformer (PWJ)

## ORDERING INFORMATION

1. Product name
2. Code symbols
3. Power voltage
4. Input signal
5. No. of loops

---

### **Fuji Electric Co.,Ltd.**

12-1 Yurakucho 1-chome Chiyoda-ku, Tokyo, 100 Japan  
Phone: Tokyo 211-7111  
Telex: J22331 FUJIELEA or FUJIELEB